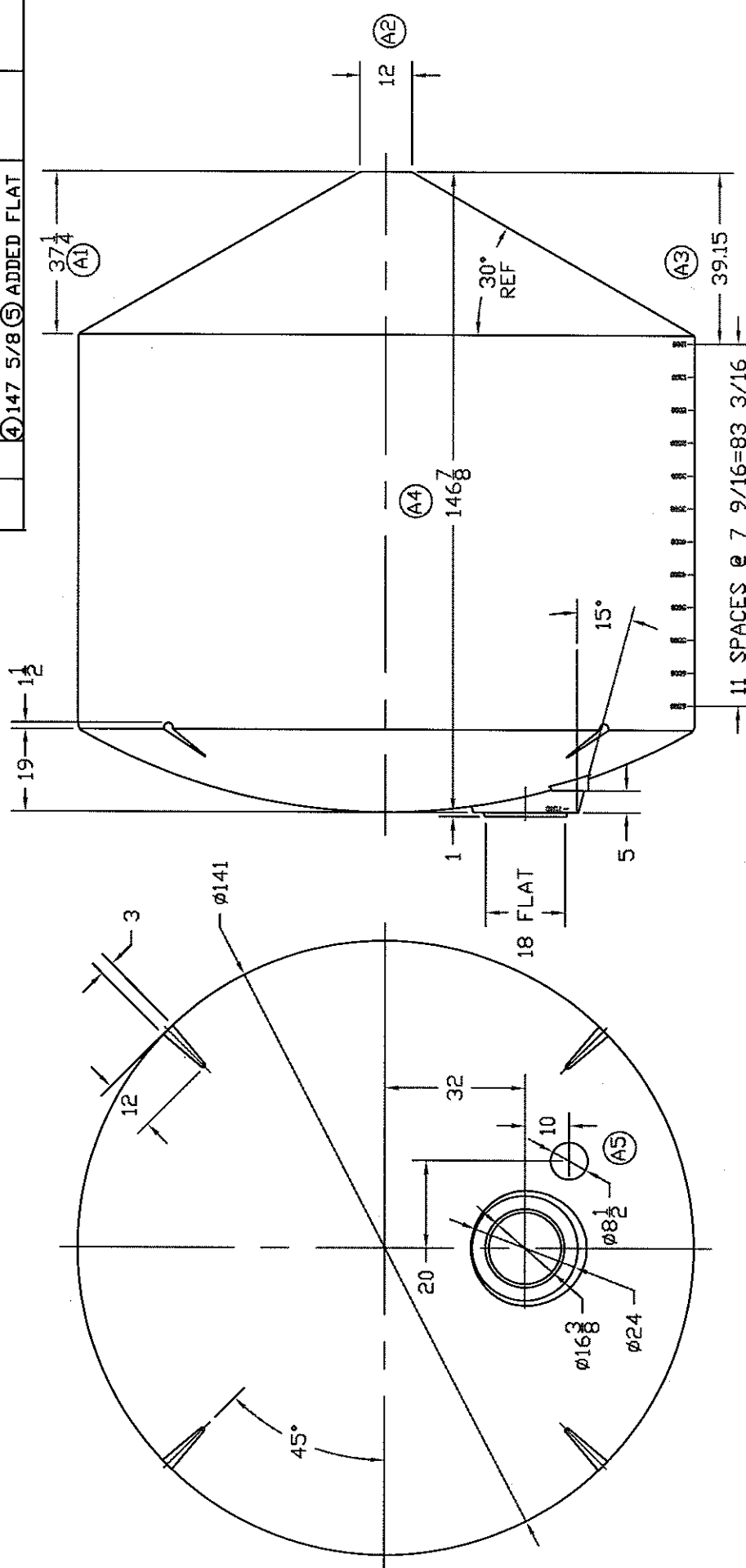


REVISIONS		DATE	APPROVED
ZONE	REV	DESCRIPTION	
	A	WAS ① 38 ② 39.9 ③ 9 3/8 ④ 147 5/8 ⑤ ADDED FLAT	04 JAN 06



		ST. BONIFACIUS, MN	
7500 GALLON CONE		BOTTOM TANK	
JTP	27 JAN 97	SIZE	FSCM NO.
		B	DWG NO.
SCALE 1/24		SHEET	