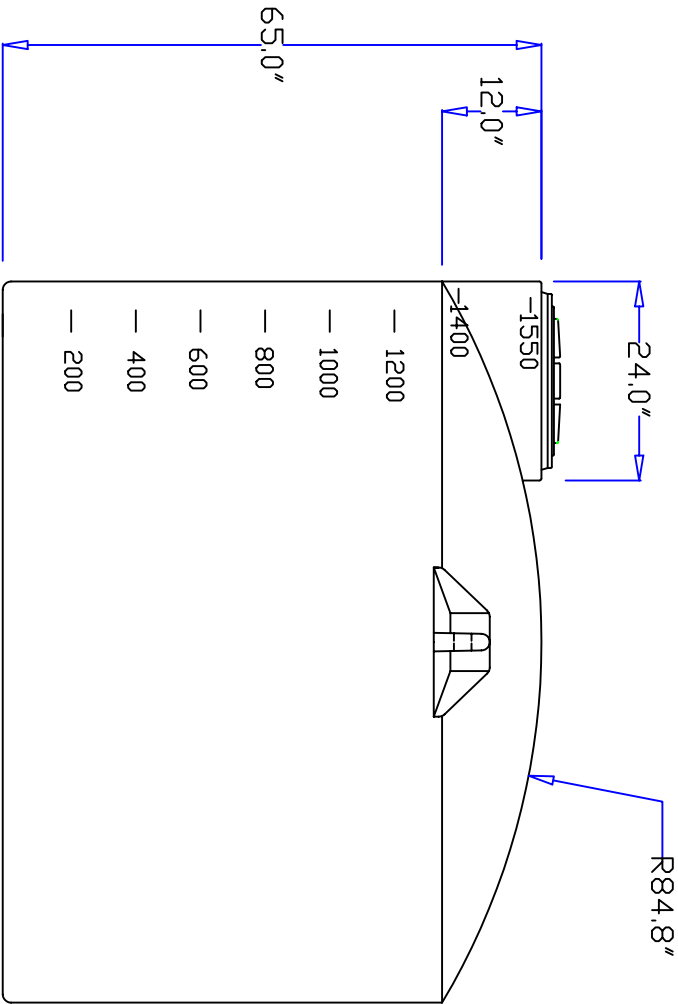
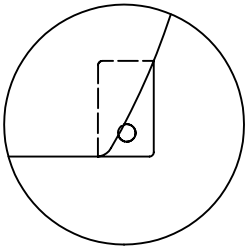
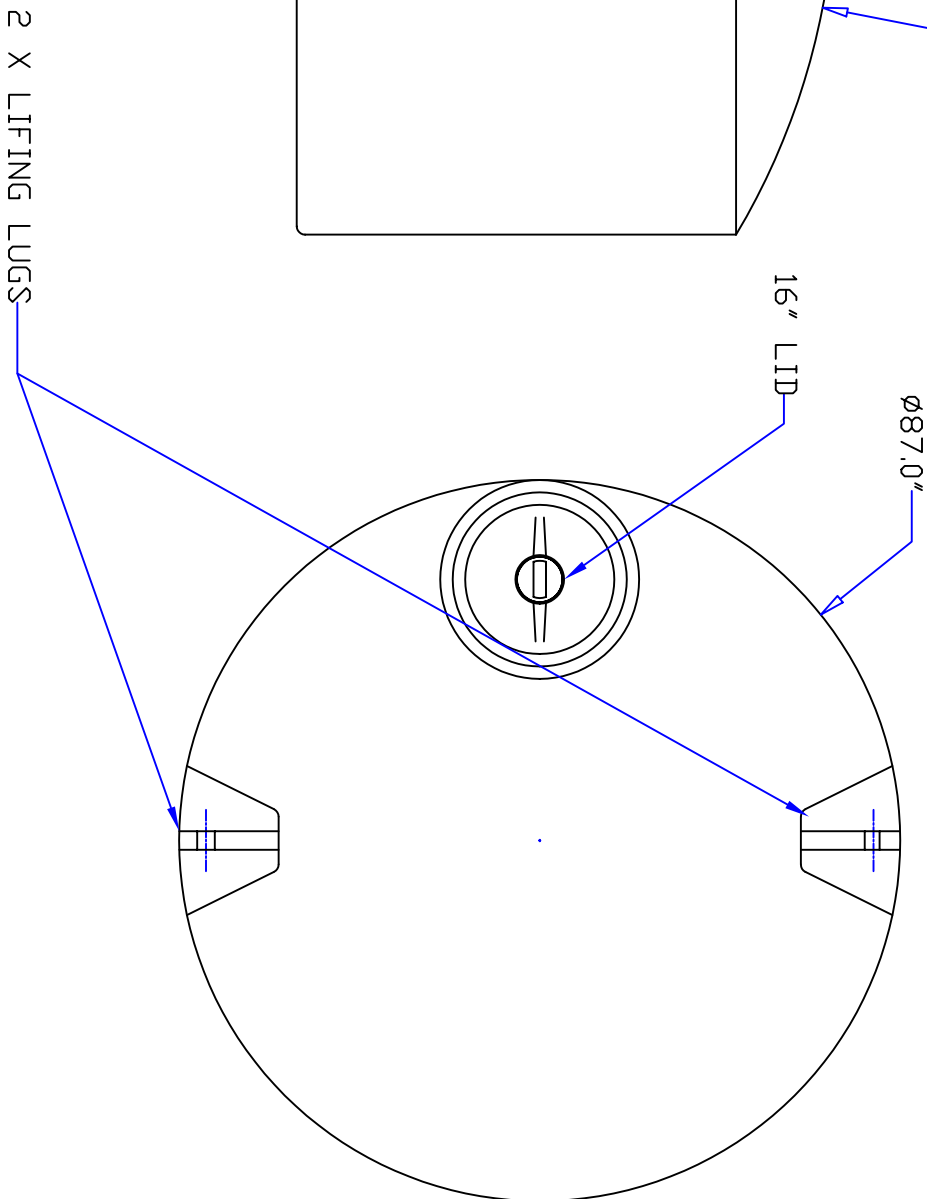


SIDE VIEW



SIDE VIEW OF LIFTING LUG

PLAN VIEW



REV	DESCRIPTION	DATE	APPRD

DRAWN / DATE
MSYKES/1/7/01

APPRD. / DATE

MATERIAL / SHOT WEIGHT
HDPE 245 LBS.

NOTES:
HRP-111

CLIENT / DESCRIPTION
BALLIFF ENTERPRISES, INC.
8423 AIRLINE DRIVE, HOUSTON, TEXAS 77037
PHONE (281) 447-5372 FAX (281) 999-1223

1550 GALLON VERTICAL TANK

SCALE N.S. PART NO. VTB1550-87

ALL DIMENSIONS ARE IN DECIMAL INCHES
TOLERANCES UNLESS OTHERWISE SPECIFIED
+ .5% @ 68° F

