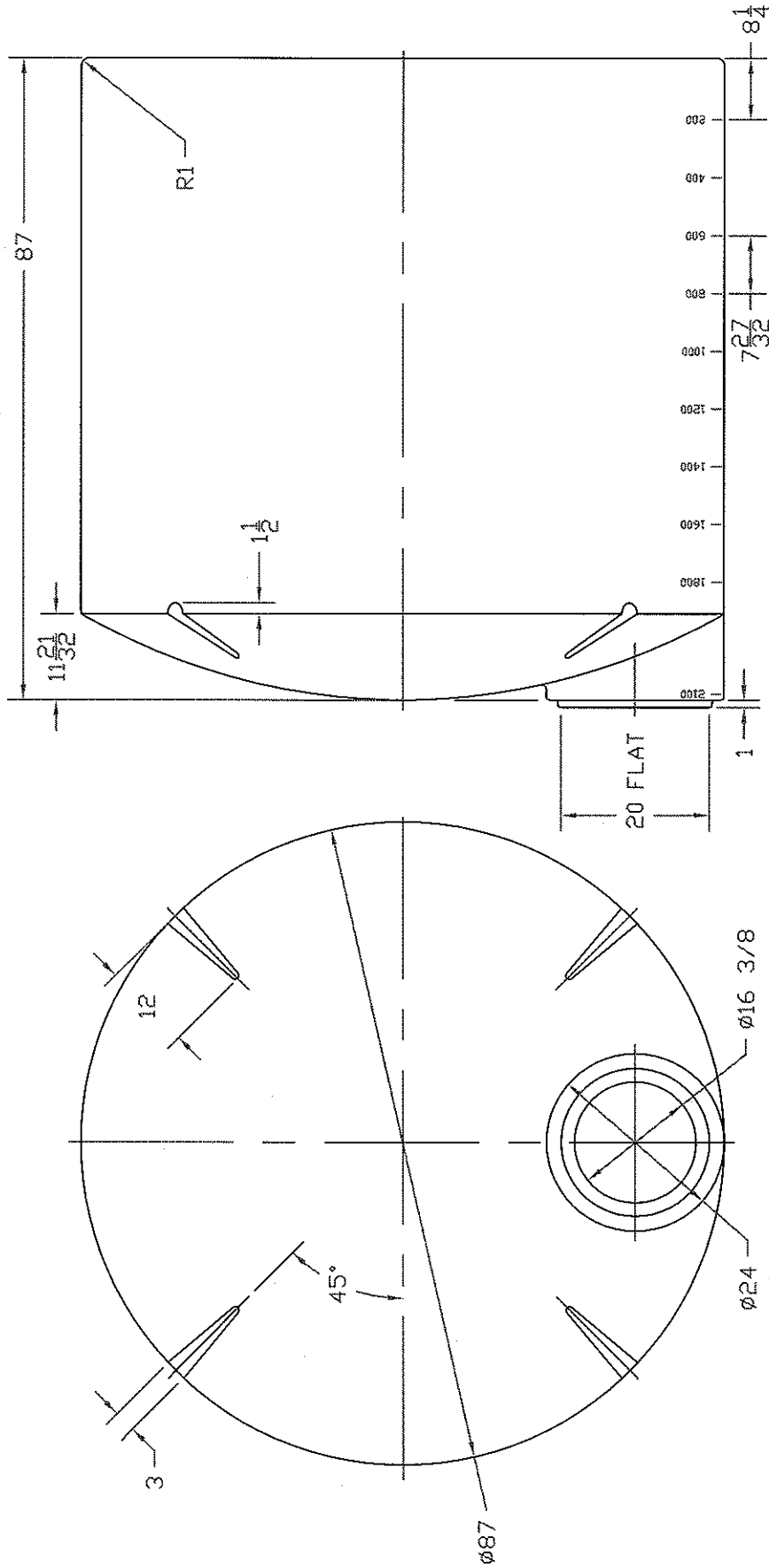


REVISIONS

ZONE	REV	DESCRIPTION	DATE	APPROVED
	A	REDRAWN	02 JAN 97	



NORWESCO

ST. BONIFACIUS, MN

2100 GALLON VERTICAL TANK

JTP	19AUG97	SIZE B	FSCM NO.	DWS NO.	REV A
-----	---------	--------	----------	---------	-------

SCALE 1/16 SHEET